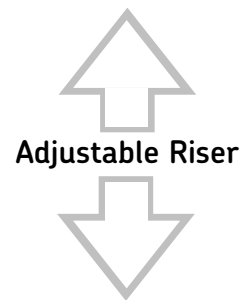
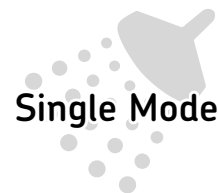


3yr
Warranty

WRAS
APPROVED
PRODUCT



isure

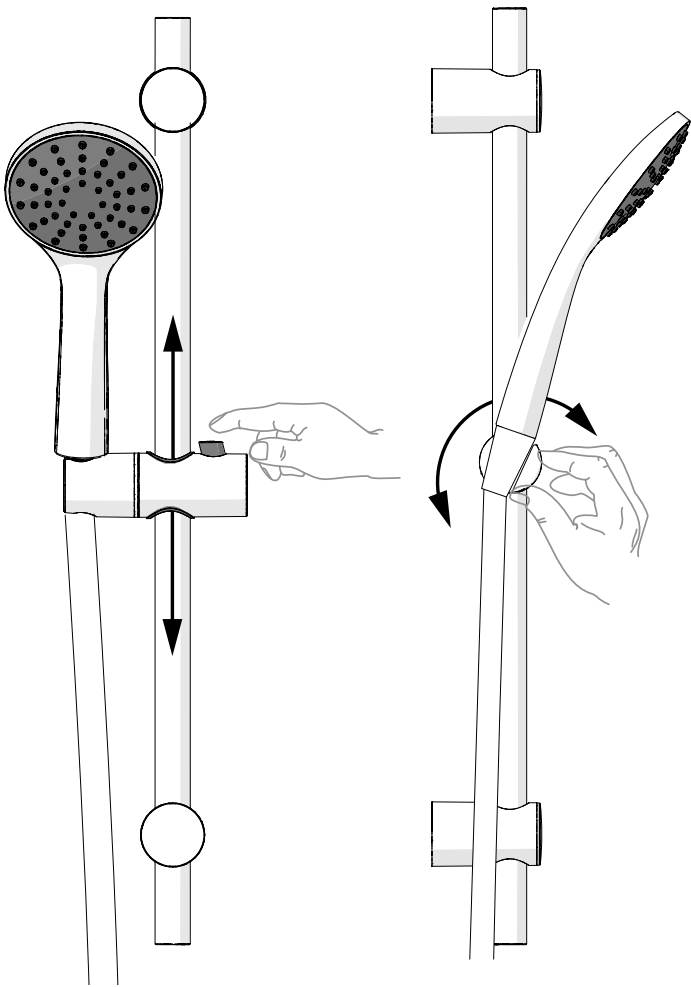
Shower Accessories

Installation and Instruction Manual

Installer - please read all instructions carefully before installation and leave this manual with the end user for future reference



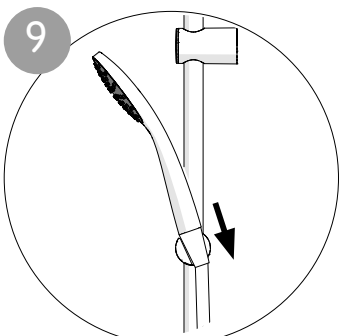
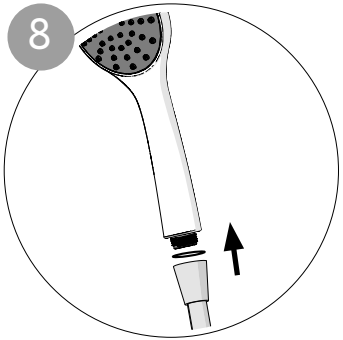
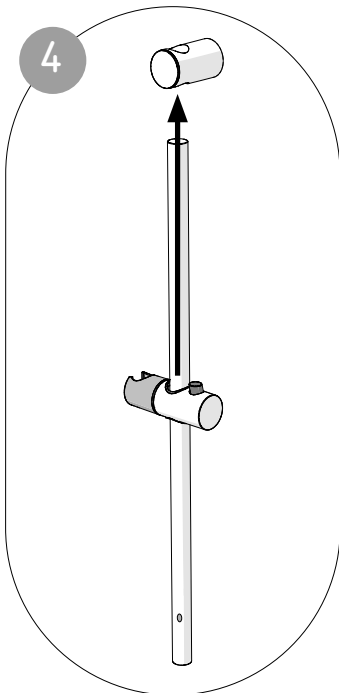
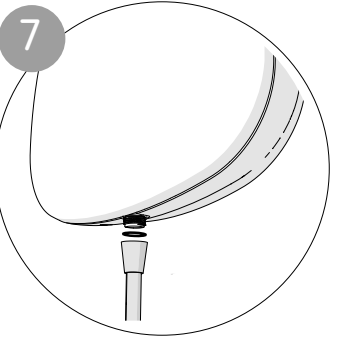
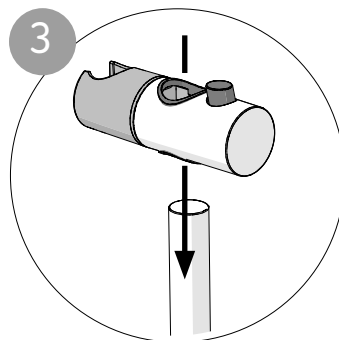
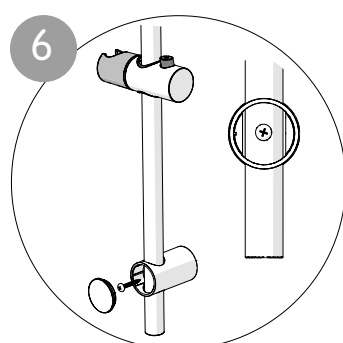
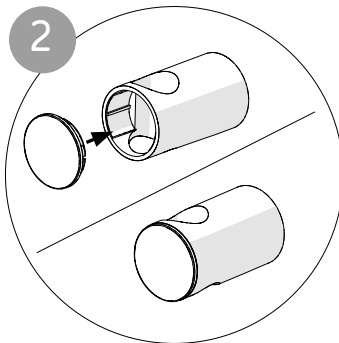
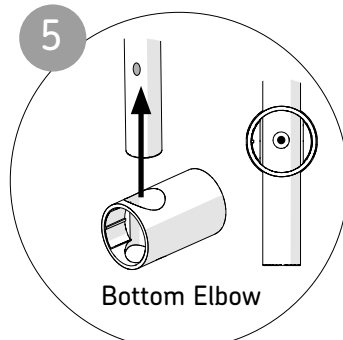
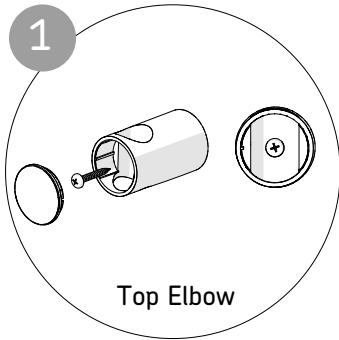
Adjusting the Riser



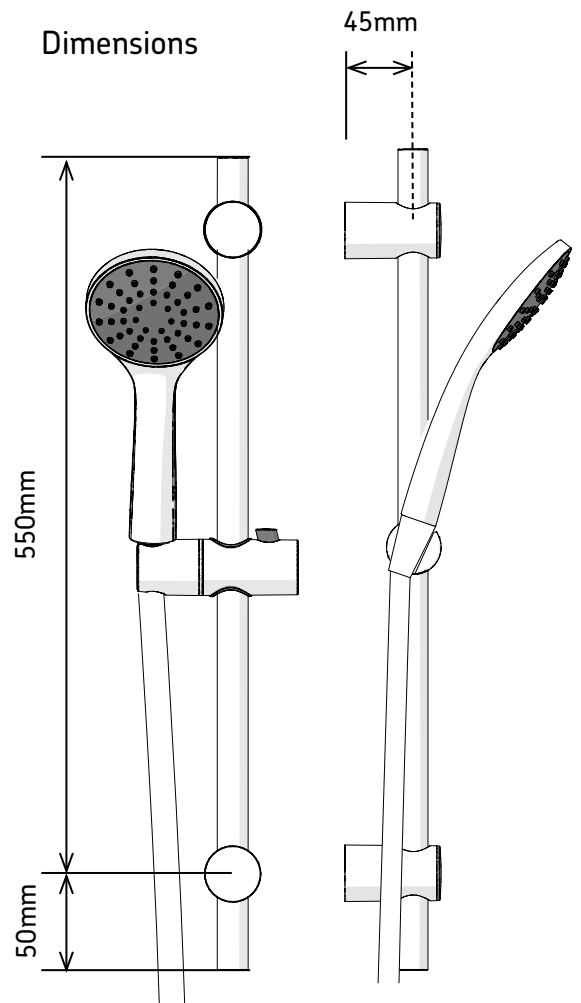
Cleaning Recommendations



Always keep spray head holes clean and shower hose clear of blockages!



- 1 Mark and drill top & bottom holes in wall and screw top elbow securely
- 2 Clip on the top elbow cover
- 3 Feed rail through accessories shown
- 4 Feed rail and attached accessory through the top elbow secured to the wall
- 5 Locate rail hole with screw port on bottom elbow
- 6 Screw to wall securely and repeat step 2
- 7 Screw shower hose onto shower unit
- 8 Screw shower hose onto shower head (ensuring washers are in shower hose tip)
- 9 Locate shower head into holder



Wet Rooms Direct

Orderline
01685 898110

Website
www.wetroomsdirect.net

Sales & Enquiries Email
sales@wetroomsdirect.net



Social



facebook.com/akwstyleability

twitter.com/akwinstallers

youtube.com/akwstyleability

linkedin.com/company/akw

As part of our continuous improvement programme we appreciate any feedback on our products and instructions. If you have any tips or comments please let us know!